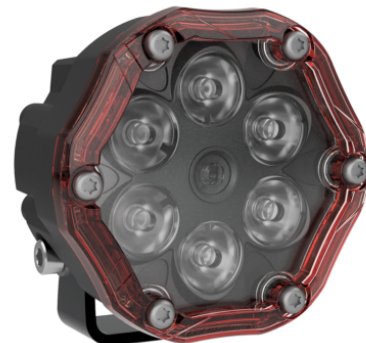


# Appearance Kit - RED

## PRODUCT INFORMATION

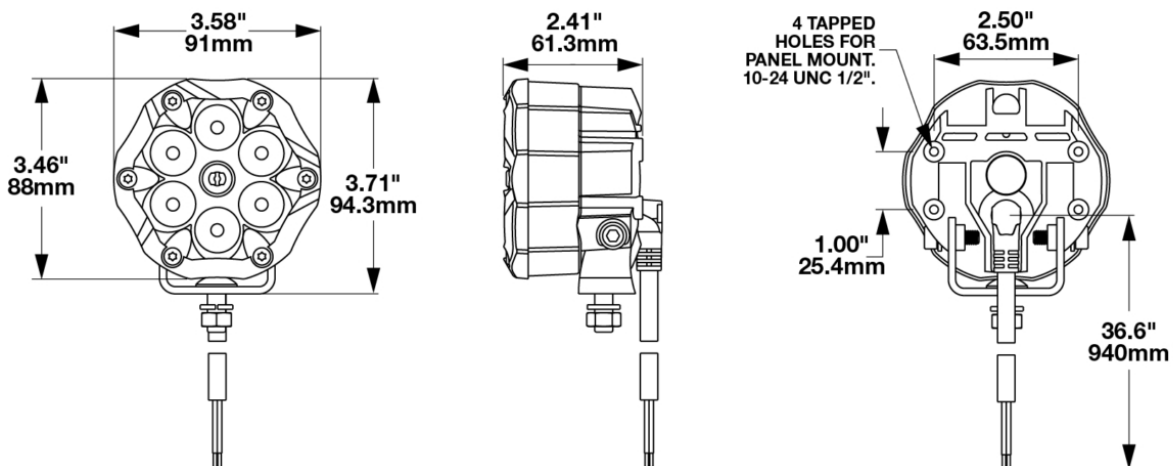
<b>Description</b>	Appearance Kit - RED
<b>Product Weight</b>	0.40 lbs / 0.18 kgs
<b>Shipping Weight</b>	0.40 lbs / 0.18 kgs

**TRAIL 6 FLASH.**



**TRAIL 6 FLASH.**

## PRODUCT DIMENSIONS



Print date: 2024-08-15

© 2024 J.W. Speaker Corporation • Germantown, WI U.S.A.  
www.jwspeaker.com • speaker@jwspeaker.com • 262.251.6660

# Appearance Kit - RED

## REGULATORY STANDARDS COMPLIANCE



Buy America Standards

Eco Friendly

## APPLICATIONS



## PRODUCT WARNINGS

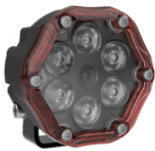
For California residents:

**⚠ WARNING:** Cancer and reproductive harm - [www.P65Warnings.ca.gov](http://www.P65Warnings.ca.gov).

**⚠ AVERTISSEMENT:** Cancer et effet nocif sur la reproduction - [www.P65Warnings.ca.gov](http://www.P65Warnings.ca.gov).

## SUITS THESE PRODUCTS

TRAIL 6 FLASH



**3.7" Round LED Off Road Warning Lights**

Round LED Off Road Warning Light - Model Trail 6 Flash

TRAIL 6 SPORT



**3.7" Round LED Off Road Lights**

Round LED Off Road Lights - Model Trail 6 Sport

TRAIL 6 PRO



**3.7" Round LED Off Road Lights**

Round LED Off Road Lights - Model Trail 6 Pro

Print date: 2024-08-15

© 2024 J.W. Speaker Corporation • Germantown, WI U.S.A.  
www.jwspeaker.com • speaker@jwspeaker.com • 262.251.6660